

Vineyard planter

by Ramón Esteve

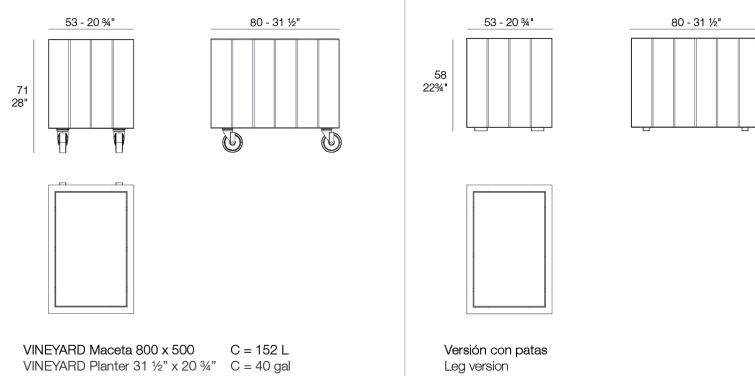
Vineyard Collection, by Ramon Esteve, is an aluminium and wooden outdoor furniture collection with a rustic and warm style.



Info

Description

Weight: 43.7 Kg



Finishes

aluminium

ALUMINIUM

Ref. 54508



crema



castoro fiber



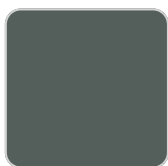
bronze

Lacquered aluminium profile.

panel/top

Solid Core

Ref. 54508PAN



modo green



oak1

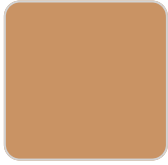


oak2

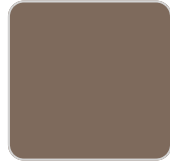
Teak

Ref. 54508PAN

VONDOM



natural teak



weathered teak

Ambients

