

Products / Chairs / Quartz Folding Chair

# Quartz folding chair

by Ramón Esteve

The Quartz chairs and table collection, designed by Ramón Esteve for Vondom, is characterized by its **orthogonal geometry and triangular shaped profiles**. Due to the line of one of its vertexes this piece appears extremely light.



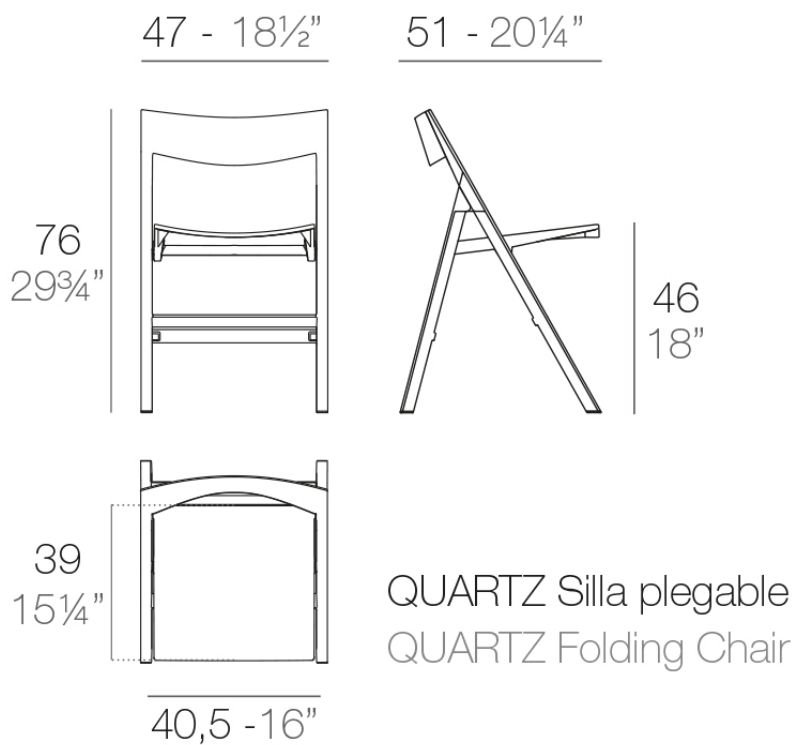
# Info

---

## Description

Made of gas air moulding injected polyamide with fiber glass. Stackable. Available in 3 colors. Item suitable for indoor and outdoor use.

Weight: 4.81 Kg



# Finishes

---

## finishes

---

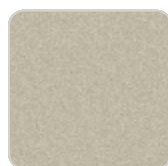
BASIC PP  
Ref. 54197



white



black



ecru

Available in various colors

# Ambients

---

